

NA24ME0

802.11b/g/n 1T1R High Power mini-PCI Express Module

Technical Specifications

Dimensions

Standards

Data Rate

Output Power & Sensitivity

Operating Frequency

Interface

Recommended Operating Conditions

STANDARDS

Wireless: IEEE 802.11b/g/n (1T2R) / Chipset: Atheros AR9285

DATA RATE

802.11b: 11Mbps / 802.11g: 54Mbps / 802.11n: 150Mbps

OPERATING FREQUENCY

IEEE 802.11 b/g/n ISM Band, 2.412GHz ~ 2.472GHz

INTERFACE

Mini PCI-e, Antenna Ports : U.FL * 2 for 1T2R (Rx Diversity)

RECOMMENDED OPERATING CONDITIONS

Operating Voltage: DC 3.3V \pm 0.1V

Temperature Range: -20°C to 70°C

Humidity (non-condensing): 20% ~ 80%

Current consumption: Tx mode 1100+/-150mA max.

Rx mode 300+/-50mA max.

Dimension (in mm): 29.97*50.64*4.77mm

contact for sales in europe & worldwide:

email: martin.hoehne@minipci.biz

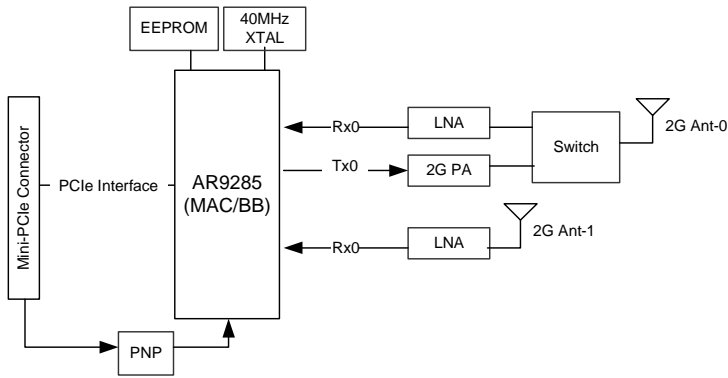
Website: <https://minipci.biz>

OUTPUT POWER & SENSITIVITY

802.11b g		
Data Rate	Tx +/- 2dB	Rx Sensitivity +/- 2dB
1Mbps	24dBm	-96dBm
11Mbps	24dBm	-90dBm
6~24Mbps	24dBm	-92dBm
36Mbps	22dBm	-84dBm
48Mbps	20dBm	-80dBm
54Mbps	19dBm	-77dBm

802.11g n			
	Data Rate	Tx +/- 2dB	Rx Sensitivity +/- 2dB
HT 20	MCS 0	24dBm	-91dBm
	MCS 1	23dBm	-89dBm
	MCS 2	23dBm	-87dBm
	MCS 3	22dBm	-84dBm
	MCS 4	21dBm	-79dBm
	MCS 5	20dBm	-76dBm
	MCS 6	19dBm	-74dBm
	MCS 7	19dBm	-73dBm
HT 40	MCS 0	24dBm	-88dBm
	MCS 1	23dBm	-87dBm
	MCS 2	23dBm	-86dBm
	MCS 3	22dBm	-81dBm
	MCS 4	21dBm	-77dBm
	MCS 5	20dBm	-74dBm
	MCS 6	19dBm	-73dBm
	MCS 7	19dBm	-70dBm

■ Block Diagram



■ Pin Definition

PIN#	Pin Name	Design Status	PIN#	Pin Name	Design Status
1	WAKE_L	Yes	2	+3.3Vaux	YES
3	GPIO4	NC	4	GND	YES
5	GPIO5	NC	6	+1.5V	NC
7	CLKREQ_L	YES	8	UIM_PWR	NC
9	GND	YES	10	UIM_DATA	NC
11	REFCLK-	YES	12	UIM_CLK	NC
13	REFCLK+	YES	14	UIM_RESET	NC
15	GND	YES	16	UIM_VPP	NC
17	UIM_C8	NC	18	GND	YES
19	UIM_C4	NC	20	W_DISABLE_L	YES
21	GND	YES	22	PERST_L	YES
23	PERu0	YES	24	+3.3V	YES
25	PERp0	YES	26	GND	YES
27	GND	YES	28	+1.5V	NC
29	GND	YES	30	SMB_CLK	NC
31	PETn0	YES	32	SMB_DATA	NC
33	PETp0	YES	34	GND	YES
35	GND	YES	36	USB_D-	NC
37	RESERVED	YES(GND)	38	USB_D+	NC
39	+3.3V	YES	40	GND	NC
41	+3.3V	YES	42	LED_WWAN_L	NC
43	GND	NC	44	LED_WLAN_L	YES
45	RESERVED	NC	46	LED_WPAN_L	NC
47	RESERVED	NC	48	+1.5V	NC
49	RESERVED	NC	50	GND	YES
51	RESERVED	NC	52	+3.3V	YES

contact for sales in europe & worldwide:
 email: martin.hoehne@minipci.biz
 Website: <https://minipci.biz>